

CSc 450/550 Computer Networks Content Distribution Networks

Jianping Pan
Summer 2006

5/22/06

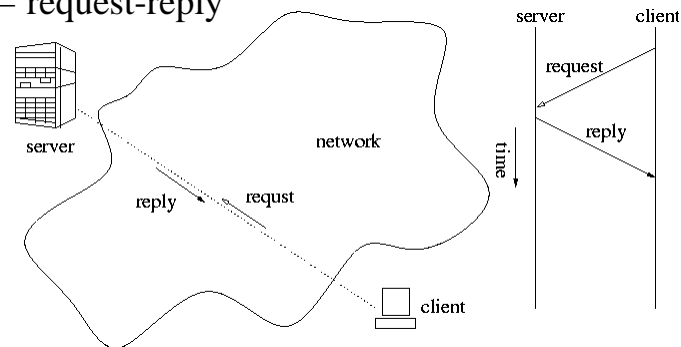
CSc 450/550

1

Service model

- Client-Server model

– request-reply



5/22/06

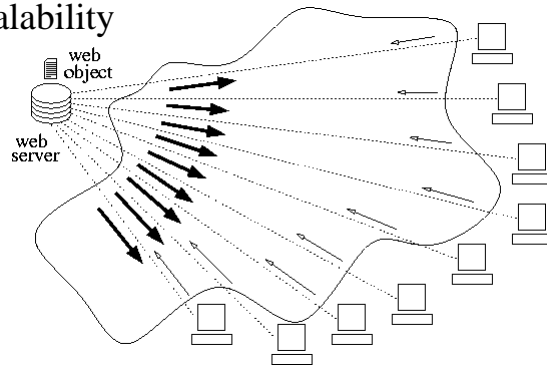
CSc 450/550

2

Client-Server model

- Possible issues

- scalability



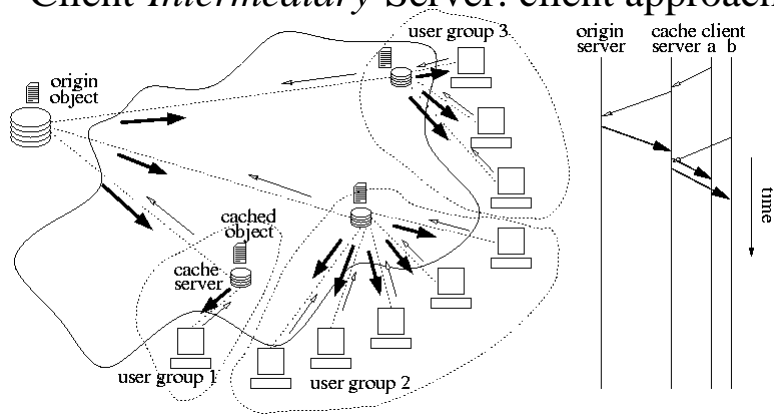
5/22/06

CSc 450/550

3

Service model: proxy

- Client-*Intermediary*-Server: client approach



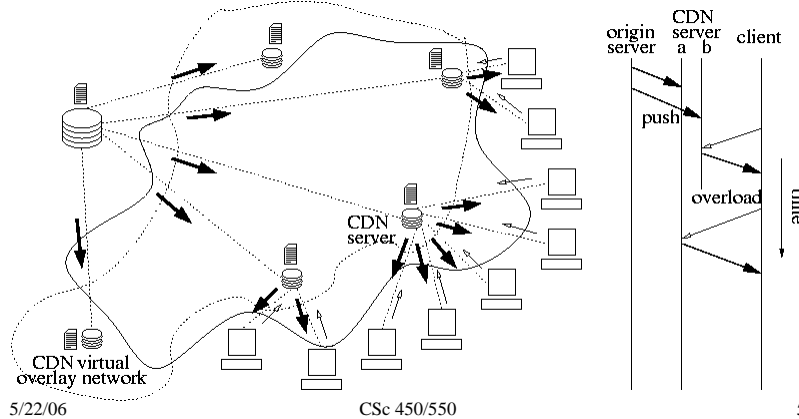
5/22/06

CSc 450/550

4

Service model: content delivery

- Client-*Intermediary*-Server:server approach



Content distribution networks

- Client-Intermediary-Server model
 - intermediary: content distribution servers
- Origin server and CDN server
 - how to distribute content properly
 - CDN server placement
 - content consistency control
- CDN server and ordinary client
 - how to choose the *right* CDN server

5/22/06

CSc 450/550

6

Server selection

- An art of *redirection*
 - HTML refresh
 - HTTP redirect
 - moved temporarily or permanently
 - DNS: name => IP mapping
 - IP-in-IP tunnel
 - ARP: IP => MAC mapping
- Goal: transparent to end-users

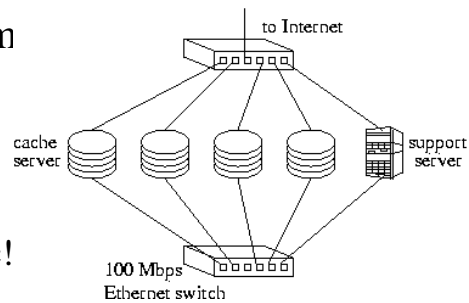
5/22/06

CSc 450/550

7

Akamai content delivery

- Akamai EdgePlatform
 - 15,000+ servers
 - 1,100+ networks
 - 69 countries
 - up to 15% web traffic!
- Server selection
 - DNS-based
 - for site or object delivery

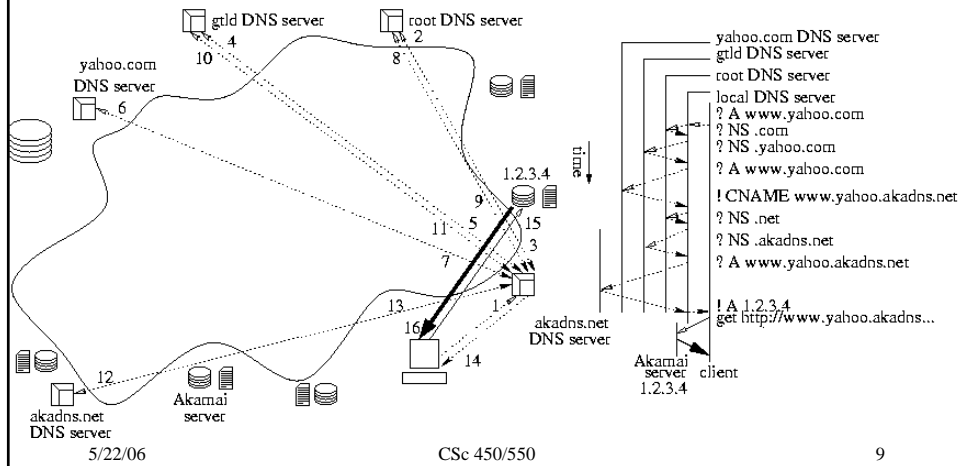


5/22/06

CSc 450/550

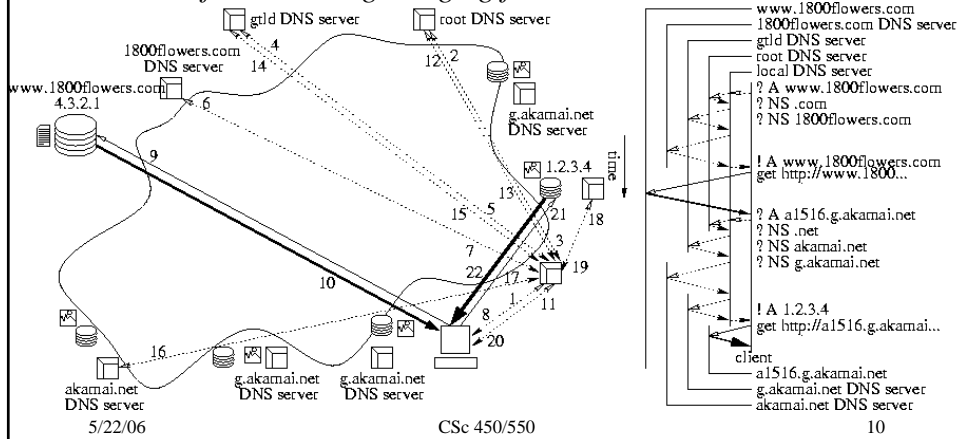
8

Site delivery



Object delivery

- http://a1516.g.akamai.net/f/1516/1052/2h/1800flowers.com/800f_assets/images/logo.gif



AkaDNS.net

akadns.net DNS servers

Server	IP address	Access network	Location
ZA	216.32.65.105	exodus.net	Washington, DC
ZB	216.52.46.145	bbnplanet.net	Denver, CO
ZC	63.241.199.50	att.net	Dallas, TX
ZD	206.132.160.36	glbx.net	Santa Clara, CA
ZE	12.47.217.11	att.net	Parsippany, NJ
ZF	63.215.198.79	level3.net	San Jose, CA
ZG	204.248.36.131	sprintlink.net	
ZH	63.208.48.42	level3.net	St. Louis, MO

akadns.net NS and A TTL

Ask		Answer		
Name	Server	Refer	NS-TTL (s)	A-TTL (s)
net.	[a..m].root-servers.net	[a..m].gld-servers.net	172,800	172,800
akaDNS.net.	[a..m].gld-servers.net	z[a..g].akadns.net	172,800	172,800
yahoo...	z[a..g].akadns.net	-	90,000	90,000
www...	z[a..g].akadns.net	-	-	300

5/22/06

CSc 450/550

11

Akamai.net

akamai.net DNS servers

Server	IP address	Access network	Location
ZA	209.67.231.142	cw.net	Boston, MA
ZB	12.47.217.18	fast.net	Bethlehem, PA
ZC	213.161.66.159	mfn.net	London, UK
ZD	216.32.65.14	cw.net	Sterling, VA
ZE	210.81.97.184	alter.net	Tokyo, Japan
ZF	63.240.15.245	attens.net	New York, NY
ZG	213.61.5.28	colt.net	Frankfurt, Germany
ZH	63.215.198.78	level3.net	San Jose, CA
ZI	63.240.144.98	attens.net	Chicago, IL
ZJ	63.210.142.26	level3.net	Dallas, TX
ZK	64.215.170.28	glbx.net	Dallas, TX
ZL	209.185.188.14	cw.net	Jersey City, NY
ZM	12.129.72.181	att.net	Atlanta, GA
ZN	193.45.1.100	telia.net	London, UK
ZO	193.108.153.36	colt.net	UK
ZP	209.67.231.204		

5/22/06

CSc 450/550

12

g.Akamai.net

g.akamai.net DNS servers

Server	From local DNS server		
	133.164.59.8	129.97.34.2	192.63.105.17
n0g	129.250.134.66	130.185.5.11	194.82.174.220
n1g	129.250.134.67	130.185.5.12	194.82.174.221
n2g	129.250.134.75	130.185.5.14	194.82.174.227
n3g	129.250.134.77	130.185.5.11	62.129.135.36
n4g	129.250.134.82	130.185.5.11	64.241.221.237
n5g	129.250.134.66	130.185.5.11	194.82.174.220
n6g	208.187.212.167	63.76.54.131	213.161.66.179
n7g	216.32.119.56	130.185.5.11	62.129.135.36
n8g	129.250.134.66	130.185.5.11	64.241.221.237

akamai.net and g.akamai.net DNS NS and A TTL

Ask	Answer			
	Server	Refer	NS-TTL (s)	A-TTL (s)
net.	[a.m].root-servers.net	[a.m].gld-servers.net	172,800	172,800
akamai.	[a.m].gld-servers.net	z[a.p].akamaitch.net	172,800	172,800
g...	z[a.p].akamaitch.net	n[0..8].g.akamai.net	1800-3600	1800-3600
a1516...	n[0..8].g.akamai.net	-	-	20

5/22/06

CSc 450/550

13

DNS-based server selection

- Transparent to end-users
- Issues
 - effectiveness (who's making the decision)
 - overhead (low TTL)
 - granularity (hostname vs. service name)
 - proximity (client, local DNS, CDN server)
 - accuracy (*network positioning*)
- Bottom-line: avoid the worst, hope for the best

5/22/06

CSc 450/550

14

This lecture

- Content distribution networks
 - web caching vs content distribution
 - DNS-based server selection
- Explore further
 - Multimedia applications: CSC461
 - Peer-to-peer applications and more!
 - CSC485: advanced computer networks
 - NSERC USRA (**June 16!**), Directed Study, etc

5/22/06

CSc 450/550

15

Next lecture

- Assignment 1 will be returned to you!
- Brief coverage on email
 - read CN Chapter 7

5/22/06

CSc 450/550

16